

QSDC-2000-40000-30-16-K

2~40GHz, 30W, 16dB

Features:

- * Broadband
- * Low Insertion Loss

Applications:

- * Amplifiers
- * Transmitter
- * Laboratory Test
- * Radar

Electrical

Frequency:	2~40GHz
Insertion Loss:	1.5dB max.
VSWR:	1.6 max.
Directivity:	10dB min.
Coupling:	16±1.2dB
Impedance:	50Ω
Average Power:	30W

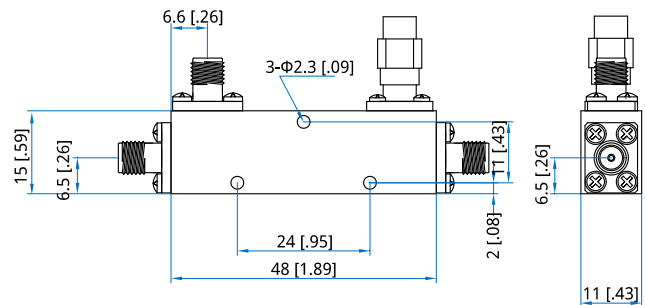
Mechanical

Size*1:	48*15*11mm 1.89*0.59*0.43in
Connectors:	2.92mm Female
Mounting:	3-Φ2.3mm through-hole

[1] Exclude connectors and terminations.

Environmental

Temperature:	-45~+85°C
--------------	-----------

Outline Drawings


Unit: mm [in]

Tolerance: ±0.5mm [±0.02in]

How To Order

QSDC-2000-40000-30-16-K

Customization is available upon request.